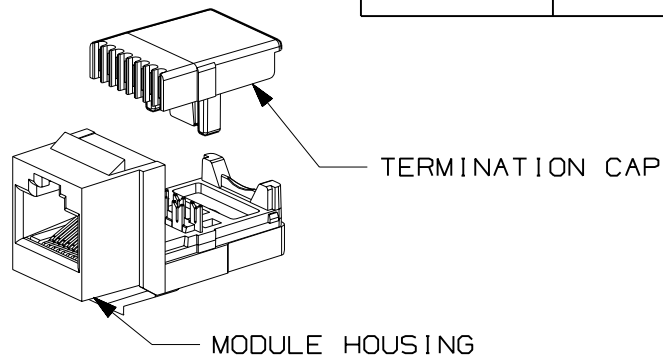


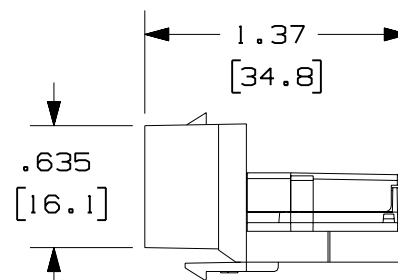
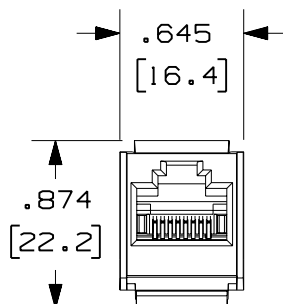
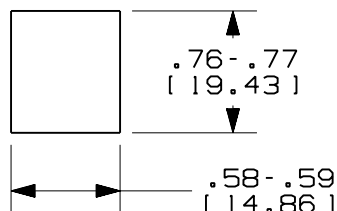
THIS COPY IS PROVIDED ON A RESTRICTED BASIS AND IS NOT TO BE USED IN ANY WAY DETRIMENTAL TO THE INTERESTS OF PANDUIT CORP.

| PANDUIT PART NO. | DESCRIPTION | WEIGHT |
|------------------|---|------------------------------------|
| NK588M**Y | 8 POSITION, 8 WIRE CAT5 UNIVERSAL MODULAR JACK. TERMINATION CAP IS COLOR CODED FOR T568A AND T568B WIRING SCHEMES. | 1.32 LB/100 PCS (599 g/100 PCS) |
| NK5E88M**Y | 8 POSITION, 8 WIRE CATEGORY 5E UNIVERSAL MODULAR JACK. TERMINATION CAP IS COLOR CODED FOR T568A AND T568B WIRING SCHEMES. | |



- NOTES:
1. SEE CURRENT NETKEY™ CATALOG FOR ADDITIONAL PART NUMBER SUFFIXES TO INDICATE COLOR AND OR PACKAGE QUANTITY.
 2. MATERIAL:
MODULE HOUSING: ABS
NOMINAL WALL THICKNESS: .078(2.0)
TERMINATION CAP: POLYCARBONATE.
 3. ALL 8 POSITION, 8 WIRE CONNECTOR MODULES WILL ACCEPT THREE OR FOUR PAIR MODULAR PLUGS WITHOUT DAMAGE.
 4. DIMENSIONS IN BRACKETS ARE IN METRIC.


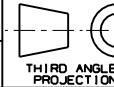
PANEL OPENING REQUIREMENTS
PANEL THICKNESS: (.048"-.058")



ACTUAL SIZE

| | | | |
|------------------|-----------------------|------|---|
| MODEL FILENAME | M00708AA_STD_KYSTN_01 | SIZE | A |
| DRAWING FILENAME | M02479LS_DC306_00A | | |

NETKEY™ CAT5, CAT5E, KEYSTONE
MODULE CUSTOMER DRAWING

| | |
|---|-------------------------------------|
|  PANDUIT ^R CORP. TINLEY PARK, IL 60477 | I.I. NUMBER |
| | PRODUCT SPEC |
|  THIRD ANGLE PROJECTION | WORK INSTRUCTION |
| | SCALE FULL |
| DRAWN BY LZ | REVIEW DRAWING NUMBERS |
| DATE 3-18-06 | PART NO. NK588M**Y NK5E88M**Y |
| CHK'D | DRAWING NO. 02479-306 |

| REV | DATE | BY | CHK | DESCRIPTION | ECN | R | CUST | SUP | OTH |
|-----|---------|----|-----|------------------------|-----------|---|------|-----|-----|
| R | 3-18-06 | LZ | | RELEASED TO PRODUCTION | 02479-306 | | | | |